

Request for Quote for Hermetic Cable Assembly

Spartan IR Camera

Edwin Loh
Department of Physics and Astronomy
Michigan State University
East Lansing, MI 48824

517 355-9200 x2480
517 432-8802 (FAX)
LOH@pa.msu.edu

This RFQ is for four hermetic flexible cable assemblies for use in the Spartan Infrared Camera (www.msu.edu/~loh/SpartanIRCamera) for the SOAR Telescope (www.soartelescope.org).

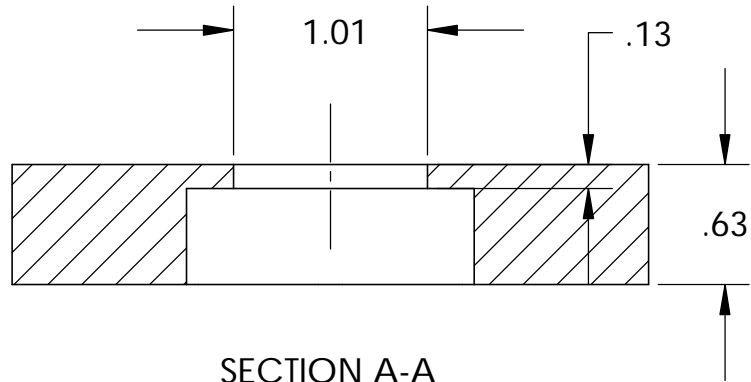
Flexible cables: Each connector holds five flexible cables, which are supplied by the customer. At the connector, the stack-up of the flexible cables is ½-oz copper traces, 1-mil Kapton, and ½-oz copper plane. Elsewhere there are Kapton covering layers.

Dimension: The connector must conform to the hole shown in the attached drawing. The present connector is 1.88-in long with a face-seal o-ring and jam nut.

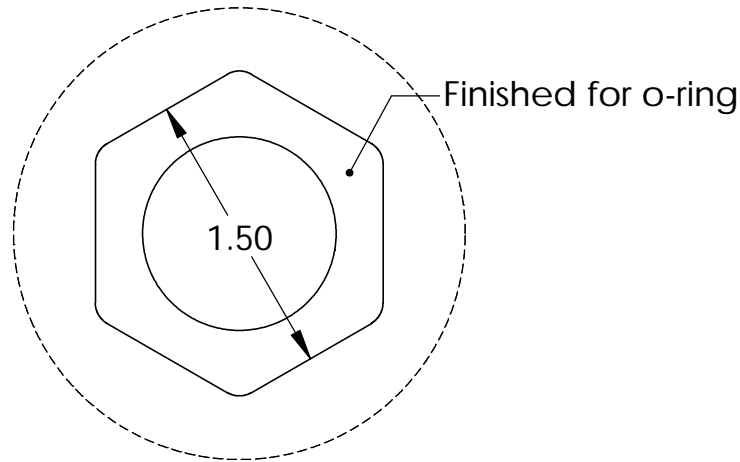
Environmental conditions: The pressure is 1 atmosphere on one side and 10^{-9} Torr on the other side. The temperature is between -30 and 30 C.

Delivery: 2 weeks after receipt of flexible cables

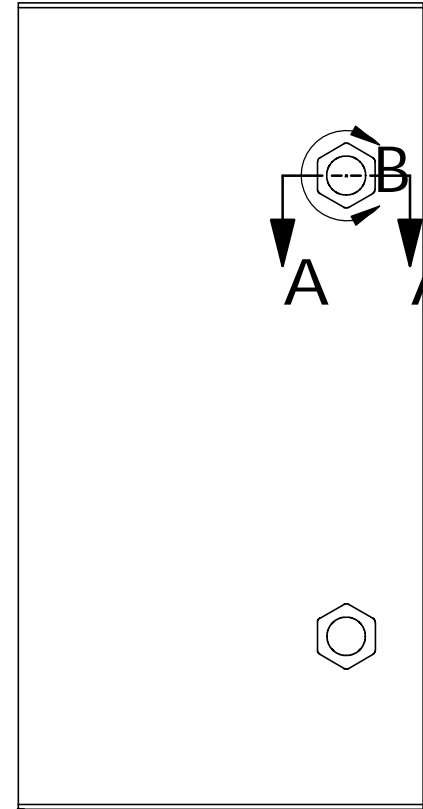
		REVISIONS			
ZONE	REV.	DESCRIPTION	DATE	APPROVED	



SECTION A-A
SCALE 1 : 1



DETAIL B
SCALE 1 : 1



		DIMENSIONS ARE IN INCHES		NAME	DATE	Physics-Astronomy Dept.	
		TOLERANCES:		E Loh	9 May 04	Michigan State University	
		FRACTIONAL ±		CHECKED		Hole for Detector Cable	
		ANGULAR: MACH ± BEND ±		ENG APPR.			
		TWO PLACE DECIMAL ±.05		MFG APPR.			
		THREE PLACE DECIMAL ±.005		Q.A.			
		MATERIAL --		COMMENTS:		SIZE	DWG. NO.
NEXT ASSY	USED ON	FINISH --				A	11-6
SPARTAN IR CAMERA		LOH@PA.MSU.EDU				SCALE:1:1	WEIGHT:
						SHEET 1 OF 1	

SIZE	DWG. NO.	REV.
A	11-6	
SCALE:1:1	WEIGHT:	SHEET 1 OF 1